



Track-Dumper



Snowblade



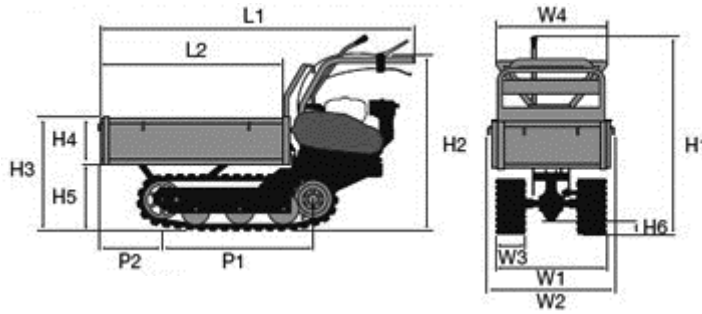
High Side Extensions

RC 360



Track-Dumper RC 360

Technical Data



	mm	inches
L1	1530 - 1665	60.2 - 65.6
L2	925 - 1060	36.4 - 41.7
H1	965	38.0
H2	885	34.8
H3	570	22.4
H4	240	9.4
H5	330	13.0
H6	65	2.6
W1	590	23.2
W2	603 - 983	23.7 - 38.7
W3	170	6.7
W4	520 - 900	20.5 - 35.4
P1	690	27.2
P2	415 - 550	16.3 - 21.7

Engine	
Honda	GCV 160
Type	1 cyl. / 4-stroke
Displacement	135 cm ³
Engine output	3.3 kW / 4.5 HP
Revolution speed	3600/rpm
Starter	Reversing starter
Air filter	Dry cartridge
Fuel filter	Seive

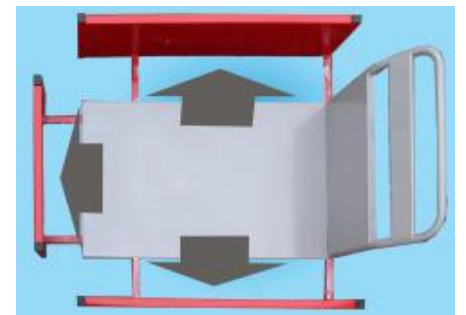


Drive	Toothed gearing
Brake	Automatic safety brake
Guidance	Steering brake
Load carrying beds - adjustable	Length 925-1060 mm / 36.4" - 41.7" Width 603-983 mm / 23.7" - 38.7" Load height 240 mm / 9.4"
Characteristic	The loading area can be increased by pulling out the sides of the bed. The sides of the beds can be pulled out completely.



unlock and tip
mechanical by hand

Operational characteristics	
Weight	140 kg / 309 lbs.
Payload max.	360 kg / 794lbs.
Tipping device	Mechanical
Climbing ability	Max. 26° (50%)
Working speed	1.60 km/h / 1.0 mph 1st gear forward 3.60 km/h / 2.2 mph 2nd gear forward 1.40 km/h / 0.9 mph 1st gear reverse 3.40 km/h / 2.1 mph 2nd gear reverse



Authorized dealer:

National Distributor of PowerPac Equipment:

PMI
EQUIPMENT
www.pmiequipment.com